

## 5035

Wheel Loaders 0.35 - 0.65 m<sup>3</sup>



### The compact genius among wheel loaders

Compact and manoeuvrable wheel loaders for various applications with performance hydraulics power flow (option). With an optimised power to weight ratio, low shipping weight and continuous high payload, the efficiency of this model series is of great benefit to end users.

- One-piece frame and all-wheel steering
- Hydraulic quick coupler system and parallel-controlled loading system
- Spacious cabin with perfect all-round visibility
- Efficient drive and low operating costs
- Versatility through third control circuit and power flow

## 5035

Wheel Loaders 0.35 - 0.65 m<sup>3</sup>

### Technical specifications

#### Operating data

Bucket capacity (standard bucket)	0,35 m <sup>3</sup>
Operating weight (CANOPY)	1.670 kg

#### Engine / Motor

Engine / Motor manufacturer	Yanmar
Engine performance	23 kW

#### Power transmission

Travel speed	20 km/h
Standard tires	28x9.00-15

#### Steering and operating hydraulics

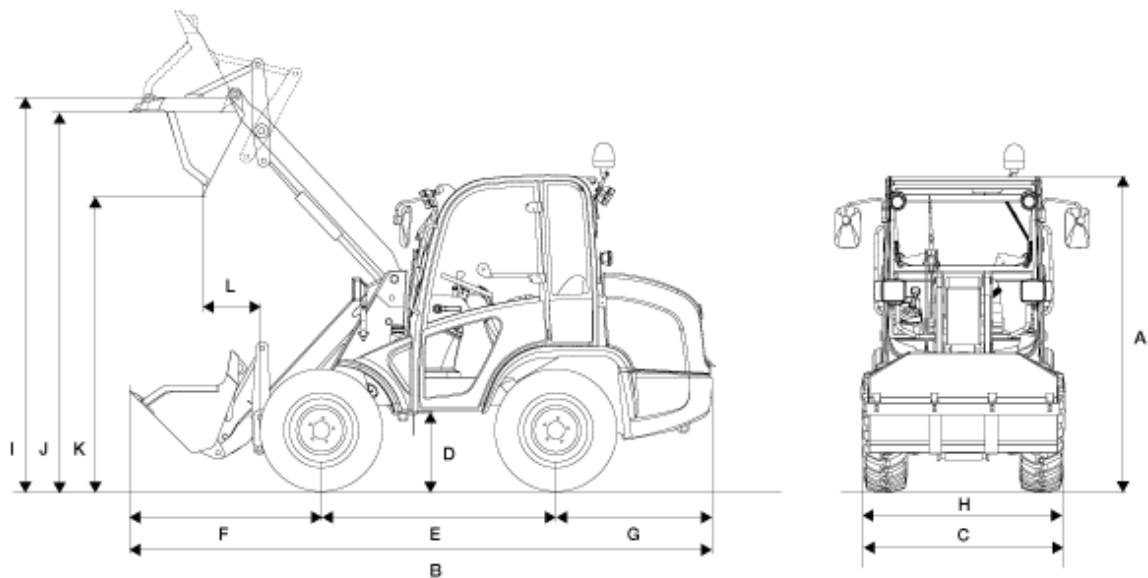
Flow rate (pump)	20 l/min
Pressure	240 bar
Flow rate (optional)	60 l/min

#### Kinematics

Tipping load (with bucket)	1.250 kg
Payload (S=1.25)	750 kg

Additional technical data is available in the detailed brochure in the informational material section

## Dimensions



A	Height	1.990 mm
B	Length	4.080 mm
C	Width	1.177 mm
D	Ground clearance	230 mm
E	Wheelbase	1.525 mm
F	Center of front axle to tip of teeth	1.360 mm
G	Center of rear axle to end of vehicle	1.195 mm
H	Bucket width	1.250 mm
I	Bucket pivot point	2.800 mm
J	Overhead loading height	2.690 mm
K	Dumping height	2.260 mm
L	Dump reach	165 mm
	Stack height	2.680 mm

Turning radius (over tyres)

1.950 mm

---

**Information on suitable accessories can be found on our website.**

The right to make changes is reserved in the interests of ongoing further developments. You can find more information on the engine power in the operator's manual. The actual power output figures may vary due to specific operating conditions.

Information on suitable accessories can be found on our website. More detailed information on engine power can be found in the operator's manual; the stated power may vary due to specific operating conditions. Subject to alterations and errors excepted. Applicable also to illustrations. Copyright © 2015 Kramer-Werke GmbH.